

ATyS_D – MAIN FEATURES



FLOOR STANDING		
Size	Poles	Dimensions HxWxD [mm]
630A	4 poles	900x600x500*
800A		1100x775x676*
1000A		
1250A		1400x1000x676*
1600A		1600x1000x826*
2000A		
2500A		1900x1000x1000
3200A		

*without 100mm pedestal

Fan with thermostat included

Box type: **SOCOMEK steel enclosures**

Installation mode: **Floor Standing**

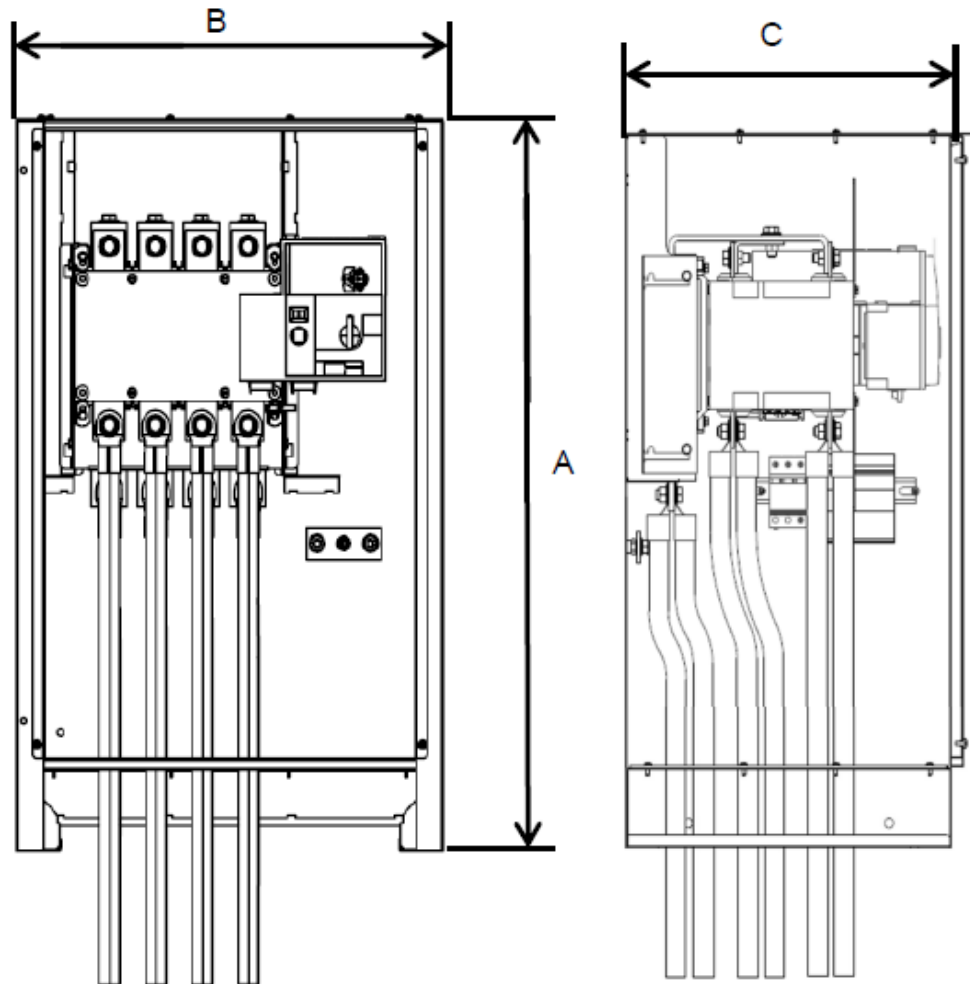
Door: **Hinged door closed with double barb locking.**

Ingress Protection: **IP43**

Gland Plates: **Removable on the top & bottom side**

Connections: **Bottom/Bottom**

ATyS_D – MAIN FEATURES



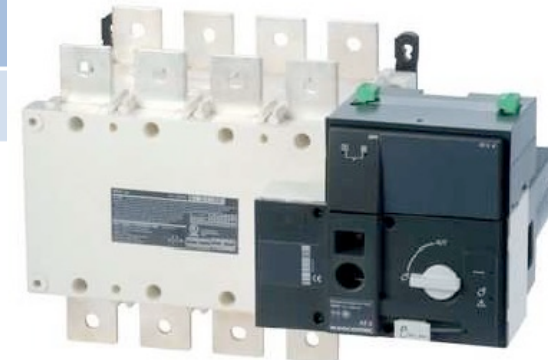
Current Size [A]	Maximum Cable Size [mm ²]
630	2 x 240 mm ²
800	3 x 240 mm ²
1000	4 x 185 mm ²
1250	
1600	6 x 240 mm ²
2000	8 x 240 mm ²
2500	
3200	8 x 300 mm ²

ATyS_D – MAIN FEATURES

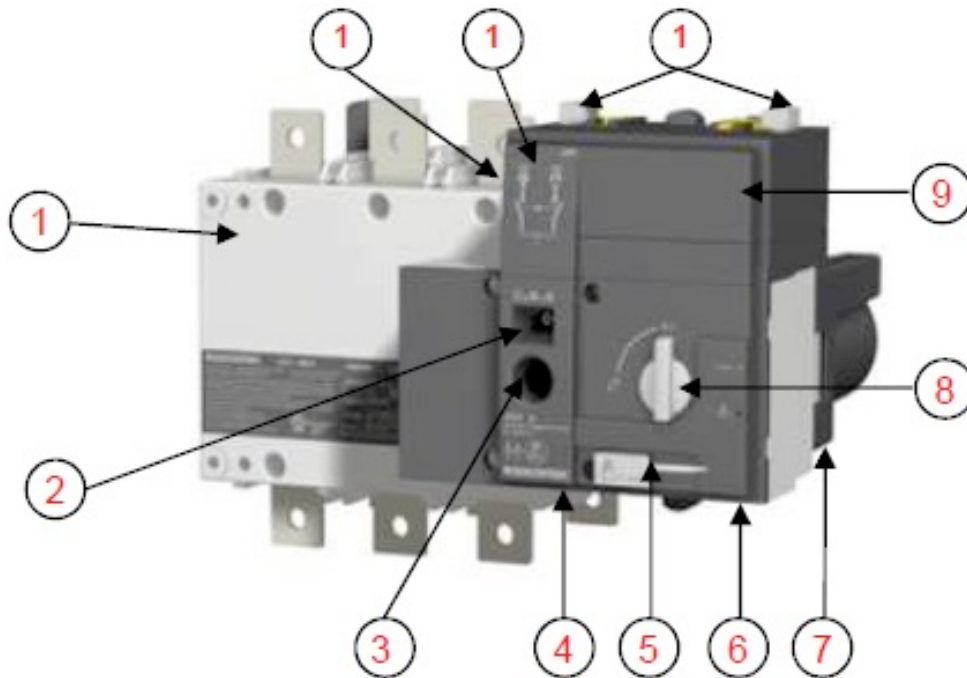


Ratings	200A	250A	315A	400A	500A	630A	800A	1000A	1250A	1600A	1800A	2000A	2500A	3200A
Duty category AC31B	200A	250A	315A	400A	500A	630A	800A	1000A	1250A	1600A	1800A	2000A	2500A	3200A
Duty category AC32B		200A	315A	400A	500A	500A	800A	1000A	1250A	1600A	1600A	2000A	2000A	3000A
Poles	3 & 4 poles													
Voltage (Tolerance)	208VAC → 277VAC +/-20% [166VAC → 333VAC]													
Frequency	50Hz & 60Hz													
Transfer time I→0 or II==0 Dead band I→II or II→I	0,75 sec → 2,6 sec following to the rating 0,3 sec → 1,6 sec following to the rating 0,45 sec → 1,6 sec following to the rating													
No operations	10 000	8 000	5 000	4 000						3 000				
Operational T°	-10°C / +40°C without derating -20° / +70°C with derating													
Particularity	Integrated Double Power Supply Connection for remote interface ATyS D10													

Compliant with
IEC 60947-3, EN 61439-6-1 and GB 14048-11



ATyS_D – MAIN FEATURES



1. Two Back to back mounted load break switches
2. Switch position indicator
3. Housing for manual handle
4. Positions control orders
5. Padlocking mechanism
6. Auxiliary contacts
7. Motor unit
8. Auto/Manual cover selector
9. DPS module
10. Power supplies
11. Mimic diagram
12. ATyS D10 connection

OPTIONAL AVAILABLE



**ESB -
Emergency
Stop button**



**APP -
Additional IPXXB Protection
(internal plexiglass)**



**Remote Interface
ATyS D10**

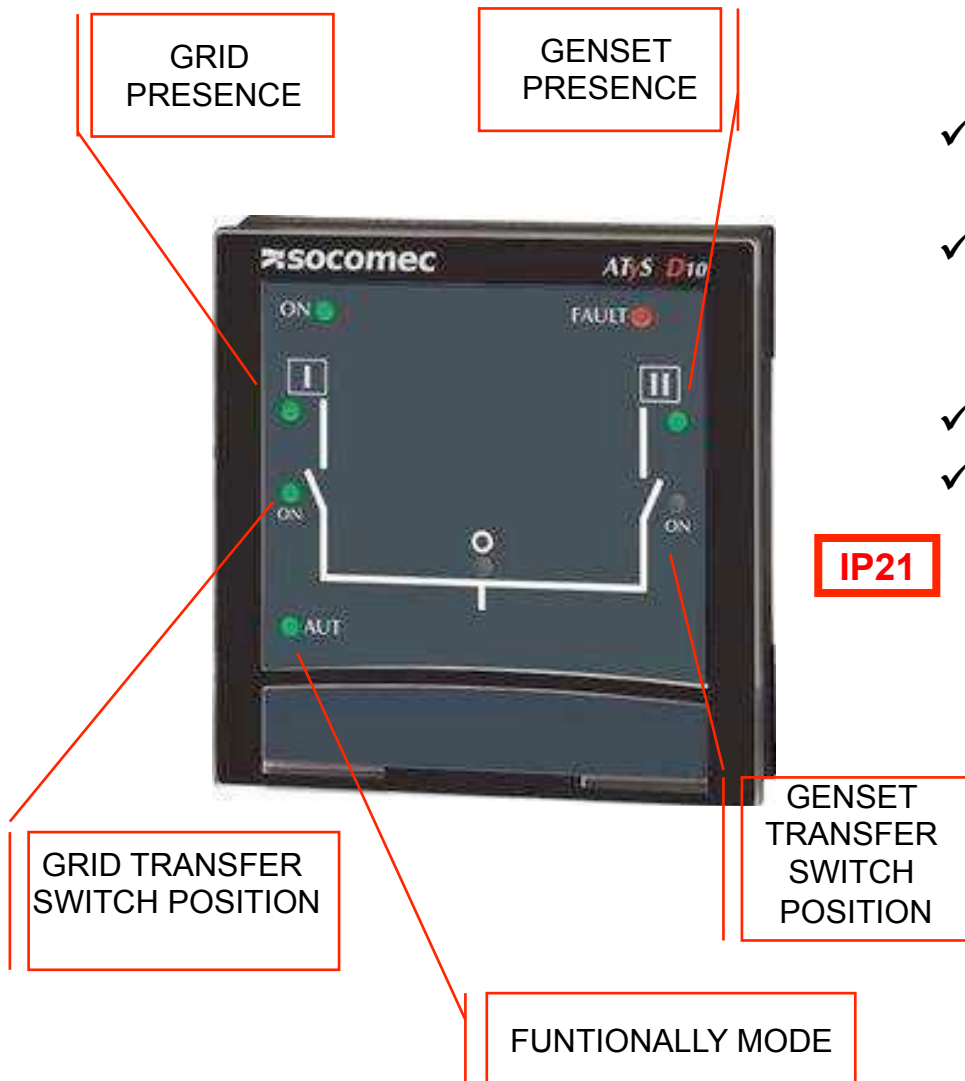


	Emergency Stop Button	Additional Plexiglass Protection	Remote Interface ATyS D10
ATyS_gM	No Optional Available		
ATyS_dM	A	A	NA
ATyS_D	A	A	Included

Remote Interface ATyS D10

STANDARD
 Supplied loose with ATyS_D
 (from 200A up to 3200A)

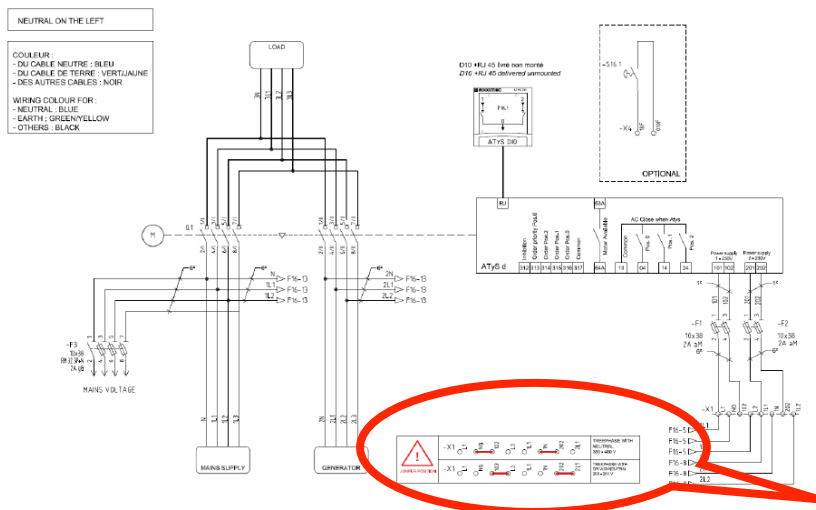
- ✓ This external remote interface fixed on the door
- ✓ Two lights to indicate the voltage presence of the grid and the diesel generator
- ✓ Two lights for the switch position
- ✓ Functionality mode (auto/manual)



RJ45 PORT for ATyS D10 connection



LTS VOLTAGES/FREQUENCIES CONFIGURATION

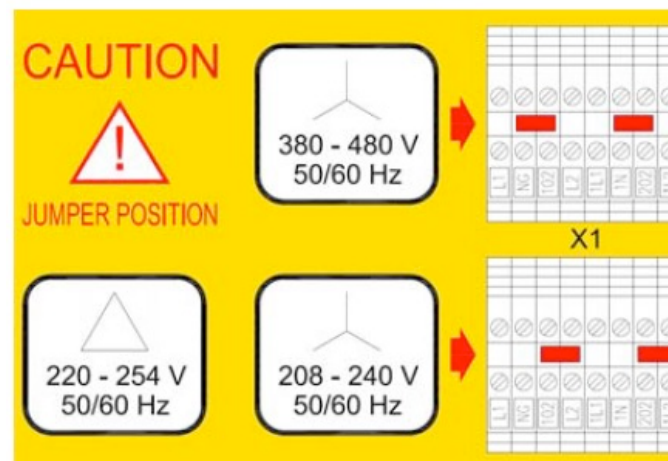


The Voltage /Frequency requested is set by **Jumper position.**



		TREEPHASE WITH NEUTRAL 380 - 480 V
		TREEPHASE WITH OR W/O NEUTRAL 208 - 254 V

- ✓ The LTS is sold with standard configuration 380-480V.
- ✓ Attached to the LTS the instruction for setting voltage/frequency. The LTS setting is managed by the customer.
- ✓ A **“quick instruction” sticker** will be attached next to the jumpers and a **“warning setting” stickers** will be attached to the door

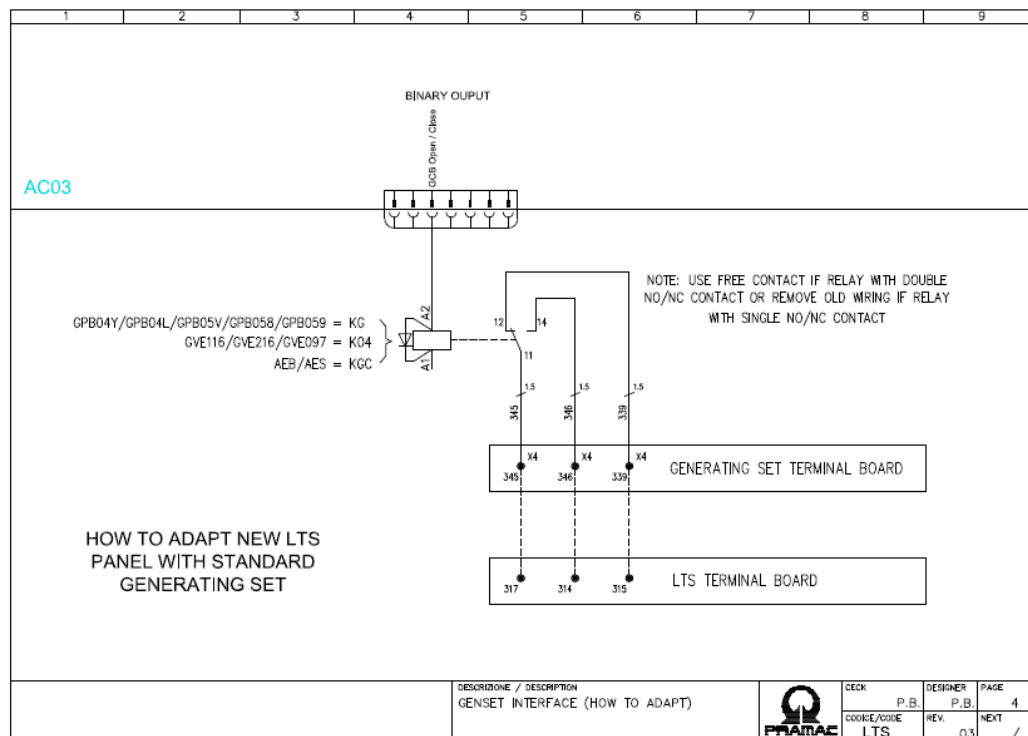


OLD and NEW LTS COMPATIBILITY



From a specific serial number, all genset will have a new wiring diagram that allows using old and new LTS.

For the genset produced before this specific serial number (that will be communicate), is **necessary an easy wiring diagram modification that will be reported on the new LTS wiring diagram.**



↓

WIRING DIAGRAM MODIFICATIONS FOR OLD GENSET COMPATIBILITY ON THE LTS WIRING DIAGRAM, ATTACHED TO THE LTS

